



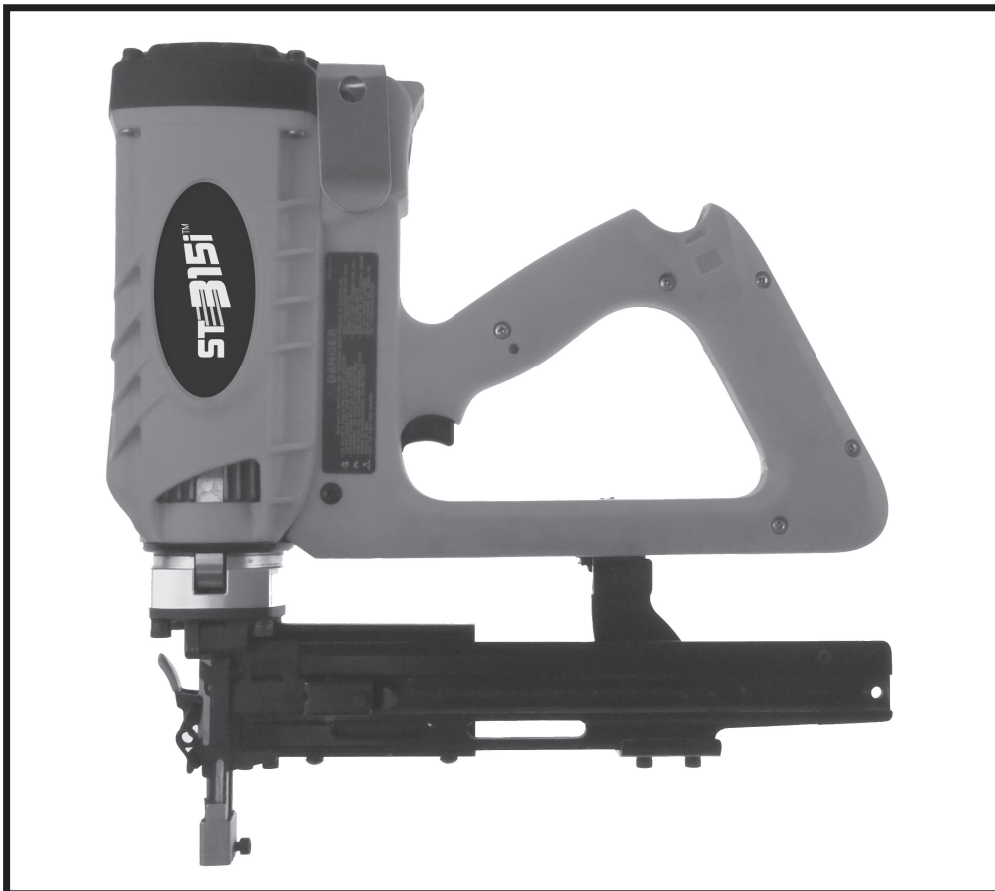
**DANGER**



**READ AND OBEY ALL SAFETY AND OPERATING  
INSTRUCTIONS BEFORE OPERATING TOOL.**

**STOCKade®**

**IMPULSE® ST-315i FENCING STAPLER  
SCHEMATIC AND PARTS**



**GAS POWERED, LOW VELOCITY  
PISTON TYPE FASTENING TOOL**

# IMPULSE® ST315i FENCING STAPLER

MODEL PART NO. US 830500

NZ 830600

## PARTS LEGEND

1	905574	4	SHCS, 6mm x 20	50	902551	1	Combustion Chamber Assembly
2	905575	4	6mm Slit Lock Washer	51	902206	1	Cap
3	905584	1	SHCS 5mm x.8 Length 6mm	*52	900315	1	Filter
4	905585	1	Star Washer	53	903209	1	Grille
5	905586	1	Auxiliary Block	54	901063	4	Shoulder Screw
6	905567	1	Work Contact Element (WCE)	55	900902	3	SHCS W/Washer
7	905587	1	Latch Assembly	56	404453	1	Bracket/Cylinder Head
8	905548	1	Driver Guide Cover	57	100157	1	High Voltage Wire Assembly
9	905588	1	E-Ring	58	901422	1	PCB Assembly
10	905589	1	Stepped Pin	59	901430	1	Motor Assembly
11	905578	SP	Nose Assembly	60	403167	1	Fan Blade Assembly
12	905582	SP	Set Plates (Right & Left)	61	401356	1	Sleeve/Motor (IMP)
13	905579	SP	Magazine Assembly	*62	900286	1	Spark Plug
14	905590	1	Slide Plate	63	902210	1	Fuel Dosing Lever
15	905591	1	Cover	64	902221	1	Cylinder Head
16	905592	2	BHCS, 5mm x 12mm	65	900935	2	Seal Ring (Cylinder Head)
17	905573	6	Split Lock Washer, 5mm	66	902209	1	Fuel Door
18	905593	1	Positioning Bushing	67	902230	1	Pin, Fuel Door
19	905594	1	Socket Head Cap Screw	68	902235	1	Retaining Ring, Fuel Door
20	905595	1	Flat Head Bolt	69	904517	1	Fuel Barb
*21	905581	SP	Negator Spring Assembly	70	902213	1	Pin, Fuel Pivot Arm
22	905596	1	Shaft	*71	902215	1	Fuel Tube
23	905597	1	Plastic Ring	72	902211	1	Fuel Pivot Arm
24	905598	1	Spring	73	902231	1	Fuel Block-Metal
25	905599	1	Roll Pin	74	401407	1	Screw-Insert-Belt Hook
26	900296	3	Flange Screw	75	401495	1	Belt Hook
27	905544	1	Flange Adapter	76	905564	1	Left & Right Handles W/ Labels
*28	905546	1	Actuator Assembly	77	901066	5	Handle Screw
29	100158G2	1	Shroud Ring	78	100180	1	Square Nut
30	905551	1	In-Can Adapter	79	404702	3	Screw/ Thread Forming
31	905562	1	Housing Assembly W/ Lables	80	100095	1	Battery Contact/ Right
32	100262	1	Support Plate	81	100096	1	Battery Contact/ Left
33	100070	1	Cage	82	404922	2	Foam Pad/Connector ESU
34	100265	2	Cage Spring	83	900474	1	ESU Assembly (Electric Spark Unit)
35	100178A	SP	Sleeve Assembly	84	100268	2	Screw/ Thread Forming/ 6-19x5/16
36	404464	2	Stop/Rubber	85	900269	1	Washer/ Flat #6
37	404426	1	Baffle/Exhaust	86	100184A	1	Lever Assemby Roller
38	404425	1	Plate/Reed	87	100059A	1	Molded Circuit Board Assembly
39	500595	2	SEMS Screw-Torx	88	100169	1	#10-32 x 3/8 Pan Head Mach.
*40	404424	1	Valve/Reed	89	100060	1	Cam Bushing
*41	404422	1	Muffler	90	100097	1	Bar, Chamber Lockout
42	404423	1	Cover/Muffler	91	904043	1	Spring, Trigger
43	500596	3	SEMS Screw-Torx	92	404435	1	Trigger
*44	900934	2	Seal Ring	93	100273	1	#10-32 x 3/8
*45	404419	1	Bumper	94	801124	1	Knob Assembly
*46	905563	SP	Piston Assembly	95	905552	1	Plastic Washer
*47	401461	2	Ring/Piston	96	905550	1	Bracket, Magazine to Handle
48	401328	1	Ring/Retaining	97	900572	4	SHCS, 5mm x 12mm
49	404827	2	Pin	*98	902296	SP	Actuator Door Assembly

- ▲ Apply Loctite 242 (Blue) Part No. 093500.
- Apply Loctite RC-620 (Green) Part No. 401491
- Denotes new change.
- \* Denotes Normal Wear Item

## SAFETY INSTRUCTIONS

### WEAR EYE AND HEARING PROTECTION



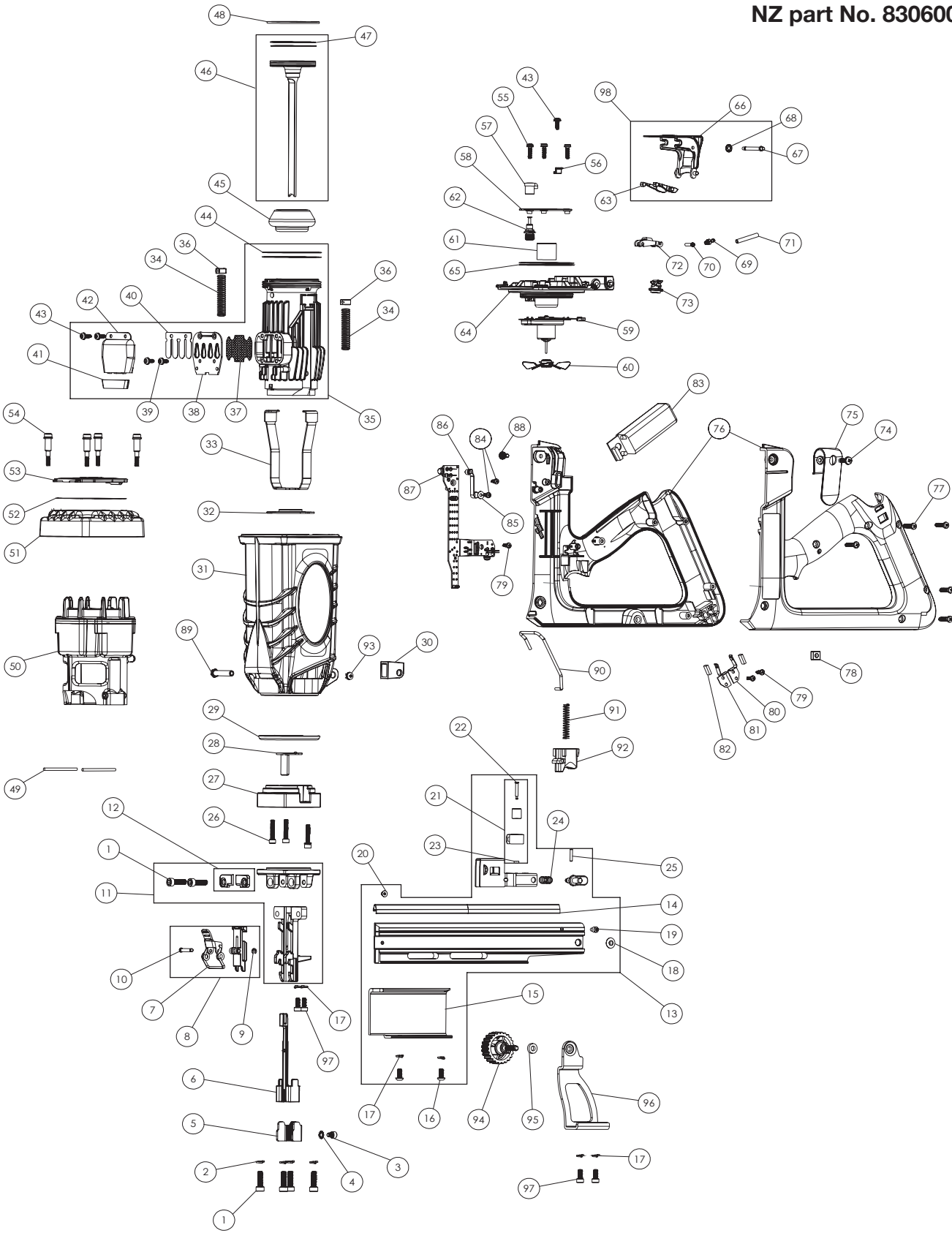
Always wear hearing protection and eye protection devices, including side shields when operating or working in the vicinity of a tool.



### WARNING

**All parts must be periodically inspected and replaced if worn or broken. Failure to do this can affect the tool's operation and present a safety hazard**

**Model ST-315i**  
**US Part No. 830500**  
**NZ part No. 830600**

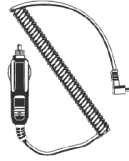


# ACCESSORIES

---

## Car Adapter

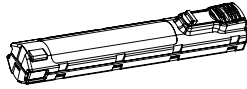
Enables you to re-charge your battery with your vehicle's electrical system.



Part No. 902665

---

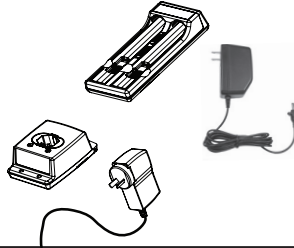
## Battery Cell



Part No. 905557

---

## Battery Charger



Charger Base US --Part No. 905555

Wall Adapter US --Part No. 905576

Charger Base NZ --Part No. 905542

Wall Adapter NZ-Part No. B20444C

---

## Cordless Lubricating Oil

Specially formulated for use in Cordless tools.



US -Part No. 401482

NZ -Part No. B20544F

---

## 4mm Hex Key

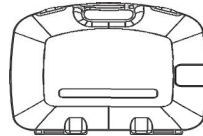
For clearing jams and servicing.



Part No. 905566

---

## Cordless Nailer Case



Part No. 905554

---

## Clear Safety Glasses



Part No. 401382

---

## Cordless Tool Cleaner



Part No. 219348

---

**STOCKade®**

IMPULSE® ST-315i FENCING STAPLER

FOR TOOL REPAIR SERVICE CONTACT YOUR LOCAL  
AUTHORIZED STOCK-ade® DISTRIBUTOR OR TO FIND  
YOUR NEAREST STOCK-ade® TOOL REPAIR CENTER  
VISIT OUR WEB SITE AT [WWW.STOCK-ade.COM](http://WWW.STOCK-ade.COM)  
OR CALL +64 9 477 3000