



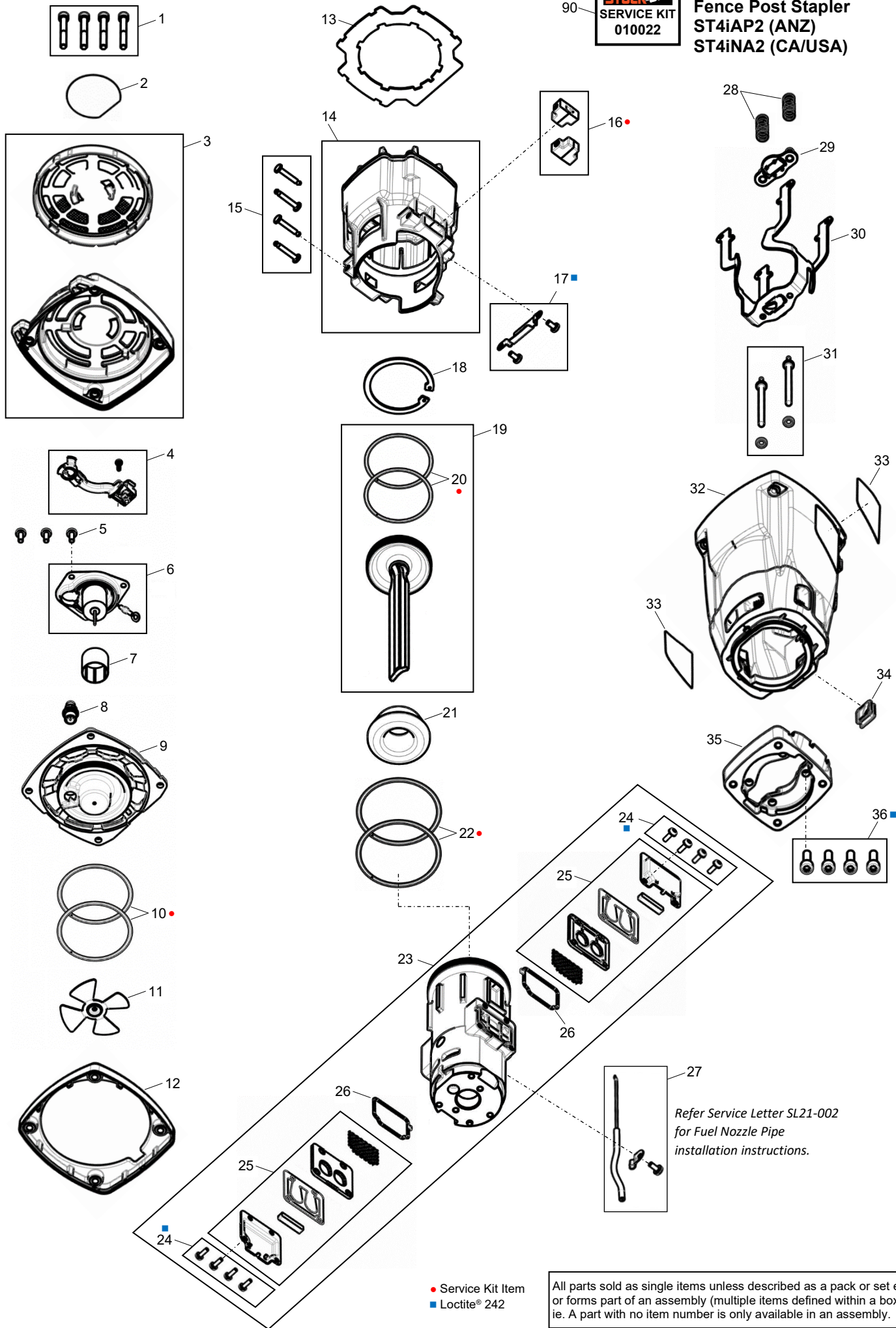
**STOCKADE ST400i MK2
FENCE POST STAPLER
ST4iAP2 (ANZ)
ST4iNA2 (CA/USA)**



ILLUSTRATED PARTS LIST



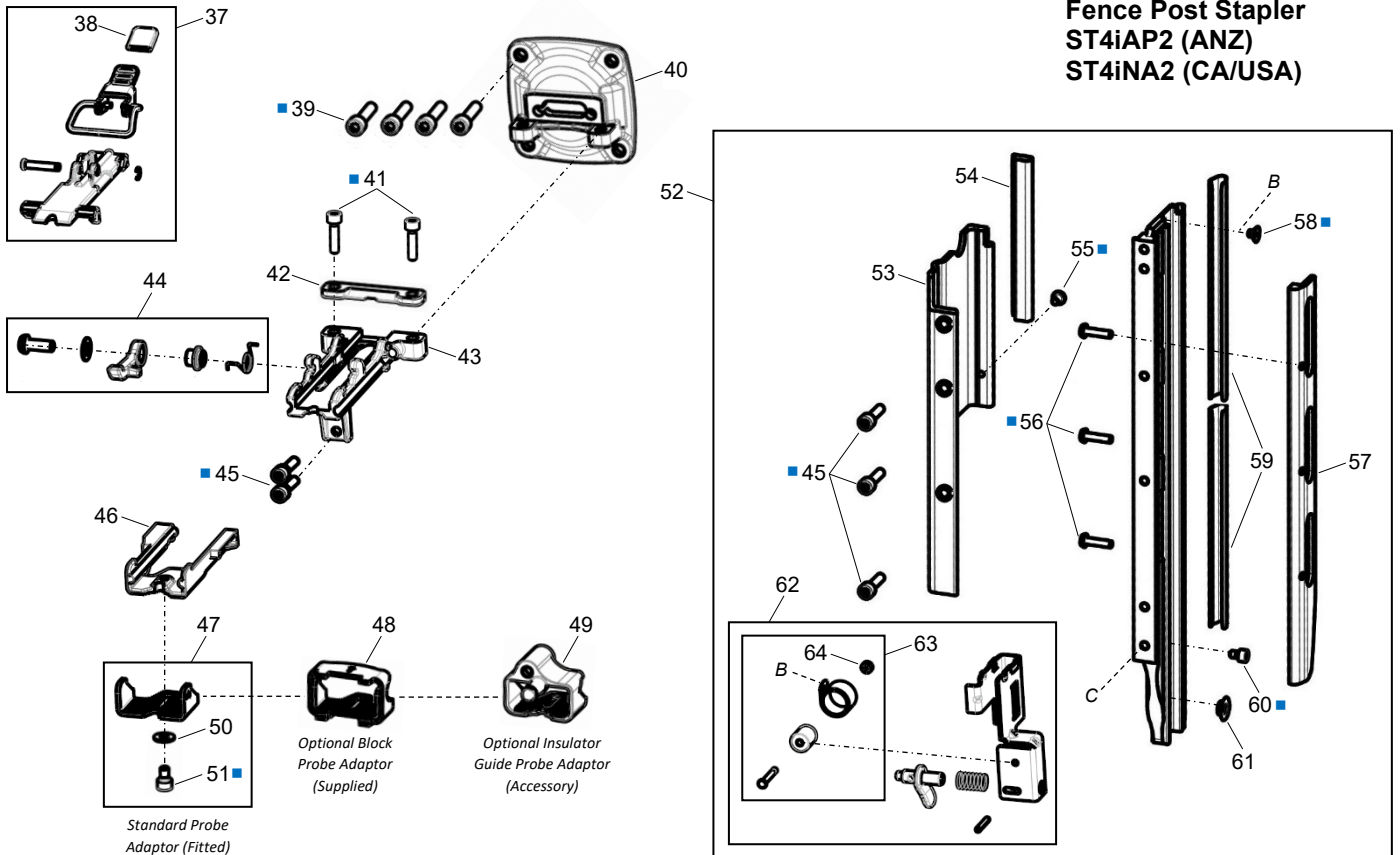
STOCKADE ST400i MK2 Fence Post Stapler ST4iAP2 (ANZ) ST4iNA2 (CA/USA)



• Service Kit Item
■ Loctite® 242

All parts sold as single items unless described as a pack or set etc, or forms part of an assembly (multiple items defined within a box). ie. A part with no item number is only available in an assembly.

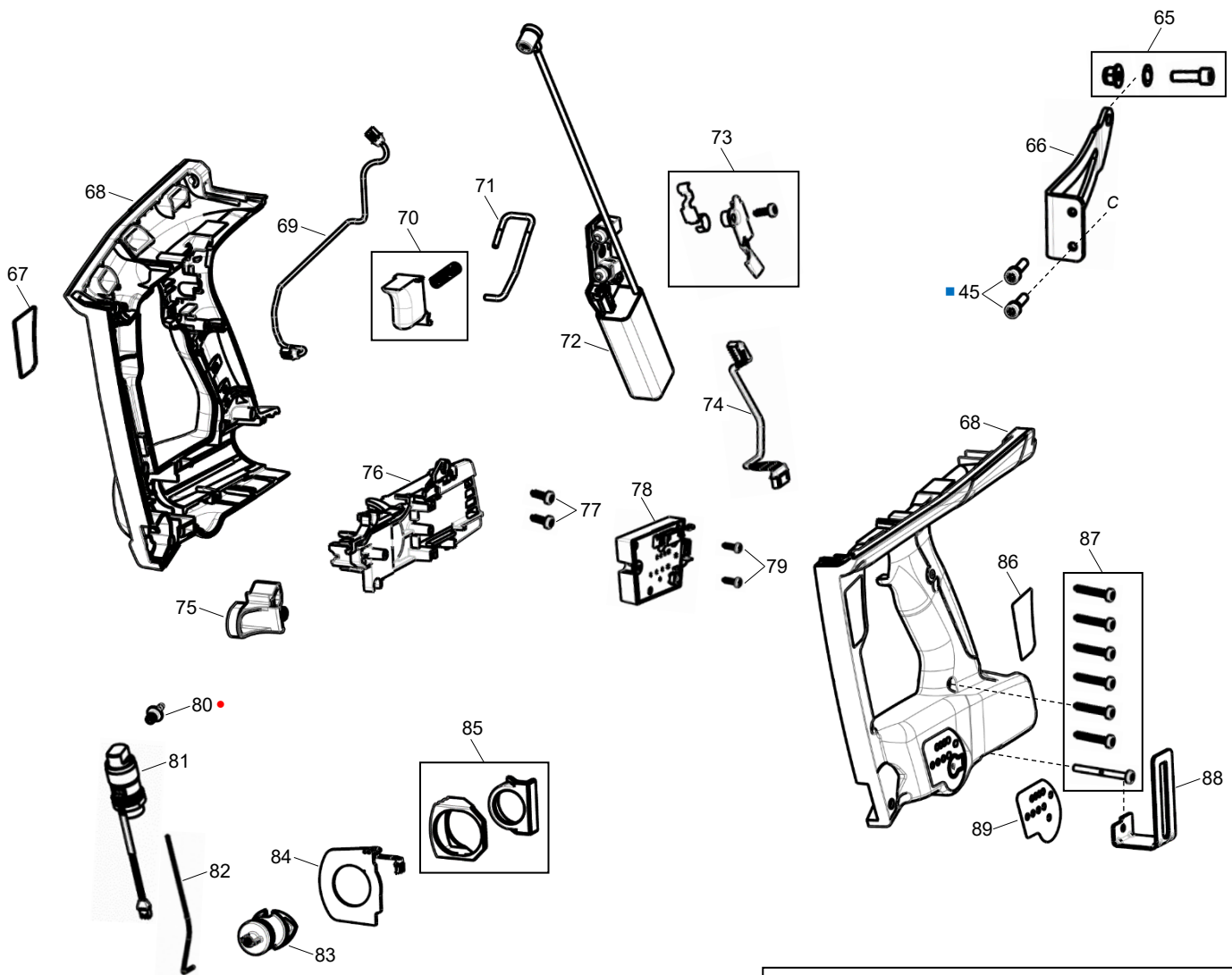
STOCKADE ST400i MK2
Fence Post Stapler
ST4iAP2 (ANZ)
ST4iNA2 (CA/USA)



Standard Probe Adaptor (Fitted)

Optional Black Probe Adaptor (Supplied)

Optional Insulator Guide Probe Adaptor (Accessory)



- Service Kit Item
- Loctite® 242

All parts sold as single items unless described as a pack or set etc, or forms part of an assembly (multiple items defined within a box). ie. A part with no item number is only available in an assembly.

PARTS LEGEND

STOCKADE ST400i MK2 FENCE POST STAPLER

ST4iAP2 / ST4iNA2

1	019355	4	Screw SHC M5-40 (Pack of 4)	→	47	47702401A	1	Probe Adaptor Kit, 3V Notch (STD) (RPLS 47700101)
2	019362	1	Label, Grill		48	47701801A	1	Probe Adaptor, Block (OPT) (ALT 923415)
3	019932	1	Cap & Grill Assembly	→	49	00103301A	1	Probe Adaptor, Insulator Guide (OPT) (ALT 923433) (RPLS STK4iiGT)
4	013808	1	Wire Retaining Set	→	50	FW050120B-10	1	Washer, Flat (RPLS 923490, FW060120B-15)
5	900596	3	Screw T20 TF SEMS 8-32 X 7/16	■	51	905584	1	Screw SHC
6	018416	1	Motor Assy, Fan	→	52	47702501A	1	Magazine Assembly (RPLS 47701901A)
7	401356	1	Sleeve, Motor		53	41801101-B01	1	Cover, Magazine (RH) (ALT 923453)
8	013731	1	Spark Plug Assembly		54	41802501	1	Channel, Staple Rest/Wear (ALT 615915)
9	018418	1	Cylinder Head	■	55	US04070B-06	1	Screw SHC (ALT 923407)
*●	10	2	Seal Ring, Cylinder Head	■	56	US04070B-16	3	Screw UH (ALT 923406)
	11	1	Fan Blade Assy (T7) (ALT 321660)		57	41802101-B01	1	Cover, Magazine (LH) (ALT 923409)
	12	1	Brace, Motor Housing	■	58	905595	1	Screw FH (ALT 613001)
	13	1	Air Dam		59	41800901	2	Channel, Staple Guide/Wear (ALT 923405)
	14	1	Combustion Chamber Assy	■	60	905594	1	Screw SHC
	15	4	Pin, Retaining (Pack of 4)		61	905593	1	Bush, Follower Stop
*●	16	2	Stop Assy, Rubber (Pack of 2)	→	62	41801001A	1	Follower Assembly (ALT 923477)
■	17	1	Wear Plate Set, Lockout		63	905581	1	Spring & Drum Assy, Negator
	18	1	Circlip		64	905597	1	Ring PU, Retaining
*	19	1	Driver & Piston Assembly		65	019631	1	Bracket Retaining Set
*●	20	2	Seal Ring, Piston		66	47700801	1	Bracket (ALT 923419)
*	21	1	Bumper		67	019380	1	Label, Handle (RH)
*●	22	2	Seal Ring, Sleeve		68	019379	1	Handle Set (RH/LH)
	23	1	Sleeve Assembly		69	018478	1	Wire Harness, Fan Motor
■	24	8	Screw TX (Pack of 4)		70	018450	1	Trigger & Spring Set
	25	2	Muffler Assembly		71	018488	1	Lock Bar, Chamber
	26	2	Seal, Muffler		72	019627	1	Electronic Spark Unit (ESU)
→	27	1	Fuel Nozzle Pipe Set		73	018417	1	Lever (Switch) & Wire Retainer Set
	28	2	Spring (ALT 923416)		74	018454	1	Wire Harness, Led Plate
	29	1	Support, Spring (ALT 923426)		75	47701301	1	Block, Mag Bracket (ALT 923429)
	30	1	Yoke (ALT 923413)		76	018440	1	Housing, Fuel Cell & Led Plate
	31	1	Guide Rod Assembly (ALT 923498)		77	018479	2	Screw T7
	32	1	Body Housing		78	018448	1	LED Controller
	33	1	Label Set, Body Housing (LH/RH)		79	018480	2	Screw TX
	34	1	Grommet, Housing/Fuel Tube	*●	80	013739	1	Adaptor, Injector/Fuel Tube
	35	1	Adaptor, Nose Flange (ALT 923427)		81	018453	1	Injector, Fuel
■	36	4	Screw SHC (Pack of 4)		82	018470	1	Pipe, Fuel Supply
	37	1	Nose Plate Assembly (ALT 923423)		83	018472	1	Adaptor Assy, Fuel Cell
	38	1	Grip, Lever (ALT 923499)		84	018463	1	Antenna, Fuel Quantity RFDI
■	39	4	Screw SHC (Pack of 4)		85	018476	1	Button Assy, Cell Ejection
	40	1	Flange, Nose (ALT 923417)		86	019369	1	Label, Handle (LH) (Warning)
■	41	2	Screw SHC (ALT 617165)		87	018456	1	Screw Set, Handle (Pack of 7)
	42	1	Plate, Nose Support (ALT 923485)		88	019368	1	Hook, Belt
	43	1	Nose (ALT 923431)		89	018481	1	Label, Led
	44	1	Lockout Assy, Magazine (ALT 923425)		90	010022	1	Service Kit
■	45	7	Screw SHC (ALT 923428)					
	46	1	Probe (ALT 923430)					

- * Normal Wear Items
- Included in Service Kit
- Apply Loctite® 242 (Blue)
- New Change

ACCESSORIES

201	019336	Battery Li	207	019593	Carry Case
202	900507	Car Charger Adaptor 12V	208	1X1000	Fuel Nozzle Pipe Bending Tool
203	018546	Charger Kit 240VDC (ANZ)	209	B20544F	Impulse Oil (ANZ Only)
204	018887	Power Cord 240VDC (ANZ)	210	B20544L	Degreaser (ANZ Only)
205	018582	Charger Kit 115VDC (CA/USA)	211	401331	4mm Hex Key
206	019636	Power Cord 115VDC (CA/USA)			

Remove battery, fuel & staples before commencing service.



Use eye and ear protection when operating/testing tools.

Use eye protection when cleaning tools.









Use degreaser in a well ventilated area.



All parts must be periodically inspected and replaced if worn or damaged.

Failure to comply can affect the tool's operation and present a safety hazard.

ACCESSORIES - ST400i FPS Li

019336 (019637)		Battery	900507		Car Charger Adaptor 12VDC
018546 (019632)		Charger Kit (ANZ)	018887		Power Cord (ANZ)
018582 (019634)		Charger Kit (North America)	019636		Power Cord (North America)
019593		Carry Case	1X1000		Fuel Nozzle Pipe Bending Tool
B20544F		Impulse Lubricating Oil (ANZ Only)	B20544L		Degreaser (ANZ Only)
403369		4mm Hex Key			

Change Notes

Revision 1

Item	Part No.	Item Description	Change	Action/Change Description
*21	923414	Probe Adaptor (ALT 47700102)	Availability	Replaced by Probe Adaptor Kit 47702401A (47)
*21.2	923433	Probe Adaptor	Format	EU PN replaced by 00103301A (49)
*30	013738	Bracket Fuel Line	Availability	POA ¹ 27, Fuel Nozzle Pipe Set 018436
*32	019363	Fuel Nozzle & Tube Assy		
*36	900595	Screw TX TF 8-32 X 3/8		
*55	617644	Magazine (ALT 41800801-B01)		
*95	923476	Magazine & Nose Assembly		Replaced by Magazine Assy 47702501A (52)
*61	923423	Nose Plate Assembly	Format	EU PN replaced by 47700701A (37)
*96	923421	Follower Assembly		EU PN replaced by 41801001A (62)
*57	923421	Follower (ALT 41801001)	Availability	POA 62, Follower Assembly 41801001A
*109	923468	Roll Pin (ALT RP3018S)		
*110	923437	Stopper (ALT 15306403)		
*112	615916	Spring (ALT 905598)		
*63	615913	Spring, Negator (ALT 15306201)		
*111	923464	Drum (ALT 15308601)		
*114	923469	Step Pin (ALT 905596)		
*100	923403	Latch (ALT 41801401A)		
*101	905589	Step Pin		
*103	905588	E-Ring		
*64	923425	Magazine Lockout Assy	Format	EU PN replaced by 47702201A (44)
*60	923422	Spring (ALT 41801701)	Availability	POA 44, Magazine Lockout Assy 47702201A
*104	923458	Screw SHC (ALT US06100B-16)		
*105	617161	Flat Washer (ALT FW060130B-10)		
*106	923457	Sleeve (ALT 41801501)		
*107	923456	Lockout Lever (ALT 41801601)		
*115	923490	Flat Washer (ALT FW060120B-15)		

¹Purchase on assembly

*Item numbering per previous revision